

BL2005M1-EI

Bullet camera, 2.8-12 mm motorized lens, 5MP, H.265/H.264

DESCRIPTION

The BL2005M1-EI is a 5-megapixel IP bullet camera providing highly detailed images in any situation. A wide angle 2.8 to 12 mm motorized autofocus lens allows for easy setup and ensures sharp and clear images. The camera has a wide range of intelligent video analytics features to detect numerous events. Intelligent video encoding ensures good image quality and low storage costs.

FEATURES

1/2.9 ultra-low light CMOS imager

5MP @ 20 fps (2944x1656)

Motorized zoom (2.8 - 12 mm)

120 dB WDR

Built-in IR illuminator (50 m)

Intelligent VCA

Multi-codec multi-stream: H.265,
H.264, MJPEG

IP67, IK10

ONVIF Profile S and G



Description

Multi-encoder & multi-streaming

The camera can support dual streaming of H.265, H.264 or MJPEG. Multiple combinations of resolution, frame rate, and encoding can be configured to satisfy different live viewing and recording scenarios.

High Efficiency Video Coding (HEVC)

H.265 or HEVC is a video compression standard, the successor of H.264. In comparison H.265 offers about double the compression ratio at the same level of video quality, or substantially improved video quality at the same bit rate. Thus saving bandwidth and recording space.

ONVIF

Multiple options are available to easily integrate the BL2002M1-EI to a video management system. In support of open standards, the BL2002M1-EI is compliant with ONVIF (Profile S / Profile G).

Video analytics

The camera features an extensive set of intelligent VCA to assist the operator detecting any anomalies. This camera additionally features behavior analysis and face detection.

Image enhancement

The BL2005M1 features a set of tools to enhance the image quality, such as smart IR, BLC and 3D noise reduction.

Ease of installation

The BL2005M1-EI is fitted with a built-in junction box to make installation easy and dismisses the need of an external junction box.

Camera	
Image sensor	1/2.9" Ultra-low light CMOS
Lens	Motorized 2.8 to 12 mm, F/1.4, DC-iris
Focus	Autofocus
Field of view	88° to 29° horizontal, 47.5° to 16.5° vertical
Min. illumination	Color: 0.014 lux, B/W: 0.0028 lux, 0 lux with IR (F/1.4)
Day/Night	IR-cut filter with auto switch
Built-in IR illuminator	Working distance: Up to 50 m Wavelength: 850 nm
WDR	120 dB
Shutter speed	1/3 s to 1/100,000 s
Slow shutter	Supported

Video	
Video compression	H.265 MP, H.264 HP/MP, MJPEG
Video Output	512 Kbps 24 Mbps
Region of interest	1 region per stream
Max resolution	3072x2048 at 20 fps; 2560 x 1440 at 30 fps (640x360 for MJPEG)
Frame rate	25/30 fps
Number of simultaneous streams	3
- Main stream	3072x2048@20fps; 2072x1728@20fps; 2944x1656@20fps; 2560x1440@25/30; 1920x1080@25/30fps; 1280x720@25/30fps; 704x576@25fps or 704x480@30fps
- Sub stream	640x480@25/30fps; 640x360@25/30fps; 352x288@25fps or 352x240@30fps
- Third Stream*	1280x720@25/30fps; 640x360@25/30fps; 352x288@25fps or 352x240@30fps
Image enhancement	3D DNR
Image setting	Rotate mode**, Saturation, Brightness, Contrast, Sharpness, Backlight Compensation, Highlight Compensation, WDR
Note*	Enabling the Third-Stream, disables the face detection.
Note**	The combination WDR and rotation limits the frame rate to 20 fps
Day/Night switch	Auto/Scheduled/Triggered by Alarm In
Privacy mask	4 masks
High Light Compensation	Support
Auto-White Balance	Support
Video output	1 Vp-p; 2-pin to BNC patch cable (For test/installation only,)

Network	
Protocols	TCP/IP, UDP, ICMP, HTTP, HTTPS, FTP, DHCP, DNS, DDNS, RTP, RTSP, RTCP, PPPoE, NTP, UPnP, SNMP, SMTP, IGMP, 802.1x, QoS, IPv4/v6, Bonjour
Security	3-level user authentication, 802.1x, Watermark, IP address filtering
API	ONVIF (Profile S, Profile G), PSIA, ISAPI, Siqua Programming Interface
Communication interface	1x 10/100 Base T/TX (RJ-45)

Audio

Specs



Audio

Audio	1x 3.5 mm audio in (line in) ; 1x 3.5 mm audio out interface
Compression	G.711, G.726, MP2L2
Enhancement	Environmental noise cancellation

Analytics

Behavior analytics	Line Crossing Detection, Loitering Detection, Object Abandoned, Object Removal
Face detection	supported

Alarm I/O

Alarm trigger	Motion detection, Tampering alarm, Network disconnect, IP address conflict, illegal login, disk full, disk error, Alarm I/O
Alarm in	1x input
Alarm out	1x output (up to 24 Vdc 1 A or 110 Vac 500 mA)

Storage

Networked storage	NAS (NFS, SMB/CIFS), ANR
On-board storage	Built-in micro SD/SDHC/SDXC slot, up to 256 GB

Powering

Power supply	12 Vdc 25% (terminal block), PoE (802.3at)
Power consumption	0.5 A max, Max. 17.5W

Environmental

Ingress protection level	IP67
Impact protection	IK10
Operating temperature	-30 °C to +60 °C (-22 °F to +140 °F)
Relative humidity	+5% to 100%

Housing

Material	Die cast aluminum
Dimensions	diameter144.13 x 332.73 mm (5.67" x 13.10")
Weight	1890 g (4.17 lbs.)
Color	RAL 9003 (signal white)

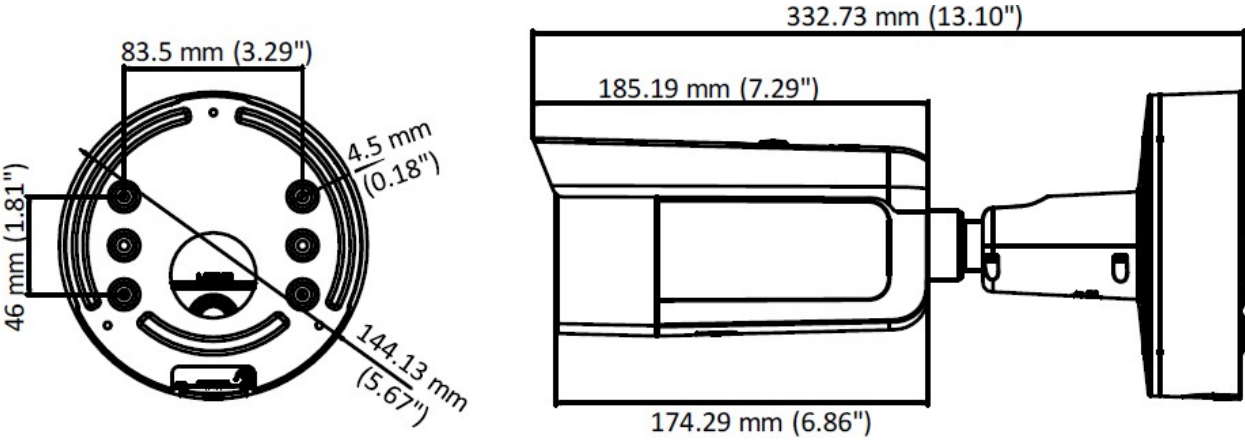
Ordering information

BL2005M1-EI	Bullet camera, 2.8-12mm motorized lens, 5MP, H.265/H.264
-------------	--

Siqura Accessoires

PM10	Pole mount for BL/FD2000 series cameras
WM20	Corner mount for BL/FD2000 series cameras

DIMENSION IN MM



RELATED



Siqura Fixed Camera Accessories
Mounting kits for fixed dome and bullet camera