

Floor springs

CTS300

EN 1154 CERTIFIED

Fire door

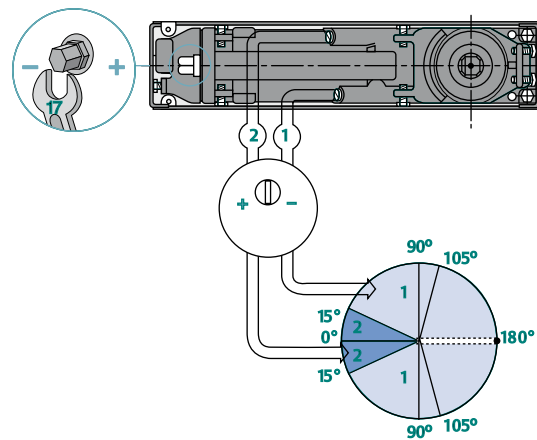


The TESA CTS300 door closer is the most powerful floor spring, capable of controlling the motion of doors weighing up to 300 kg.

» Classification EN1154: 1996 + A1: 2003

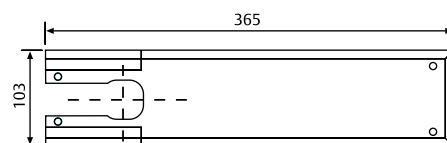
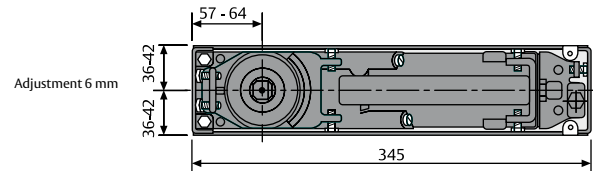
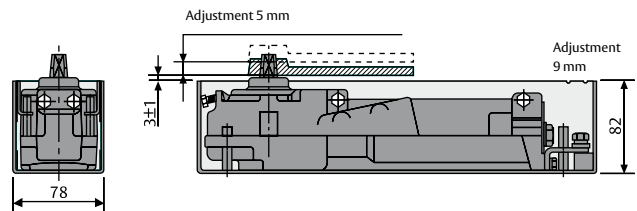
CTS300SR: 3 8 3/6 1 1 4

- » Reversible and suitable for single or double action doors.
- » Continuous size adjustment from EN3 to EN6.
- » Two independent valves for closing speed and latching speed adjustments.
- » Internal backcheck for door protection.
- » Internal HO system. Two models available: with HO at 90° (R0) or 105° (R5).
- » Interchangeable spindle.
- » Closing speed is controlled from 175° of opening.



Size (EN 1154)	Door width cm	Door weight Kg
3	95	300
4	110	300
5	125	300
6	140	300

Model	Size	Hold open	Product code
CTS300	EN 3-6	No hold open	CTS300SRST
CTS300	EN 3-6	90° hold open	CTS300R0ST
CTS300	EN 3-6	105°	CTS300R5ST



TACTSU300

Cover for the CTS300

Model	Finish
TACTSU300IM	Stainless steel
TACTSU300IB	Polished stainless steel
TACTSU300LP	Brass