

SA-PTZ D SERIES

Safe Area PTZ Dual Spectrum Camera 316L

DESCRIPTION

The SA-PTZ D camera housing is a rugged corrosion proof dual-head PTZ station designed for use in hazardous areas in onshore, offshore, marine and heavy industrial environments. The combination of thermal imaging and daylight cameras facilitates 24/7 remote camera surveillance. The daylight camera controls the movement of the camera (PTZ). The camera's large germanium window suit all thermal modules from 7.5 mm to 100 mm. The housing is not sold separately, it is only available in combination with a Siqura daylight camera module, such as the BC822v2H3-AS, a thermal module TC-336 or TC-640, and an interface (INT-RJ).

FEATURES

Corrosion protected 316L stainless-steel

Dual head camera for day and night-vision

70 mm DLC/AR coated germanium window

Supports all thermal modules from 7.5 to 100 mm

Ingress protection rating IP66 and IP67

360° Continuous rotation, -90° to +90° tilt range

Integrated power supply (24, 115 or 230 Vac)

Integrated heaters and wiper (day-light camera)

Electro-polished 316L sun-shields

Low maintenance



Description

Thermal imaging

The thermal head of the SA-PTZ D is fitted with a germanium window, which makes the camera suitable for long-wave infrared (LWR) thermal imaging. Siquira's TC-336 and TC-640 thermal modules are made to built in this camera. Its large window size (70 mm in diameter) make it suitable for lenses up to 100 mm.

Day-light camera

The day-light head of the SA-PTZ D can be fitted with Siquira's 30x zoom ip camera, the bc822v2H3-AS. This head is standard equipped with a wiper and prepared for installing a washer hose and nozzle. A 10 litre washer tank with pump and hose is sold separately.

Corrosion free 316L construction

The dual head PTZ camera is made of corrosion proof 316L stainless steel suited to operate in salty or sulfur rich environments. The germanium window is treated with a special hard diamond like coating to protect it against scratches and chemical substances.

Integrated heater

The built-in heater regulates the humidity inside the camera and prevents ice or condensation to form on the camera's window.

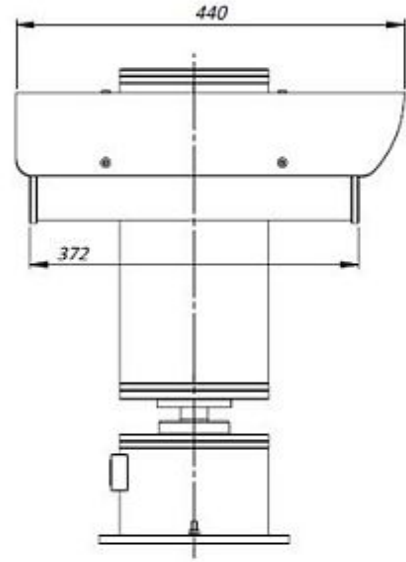
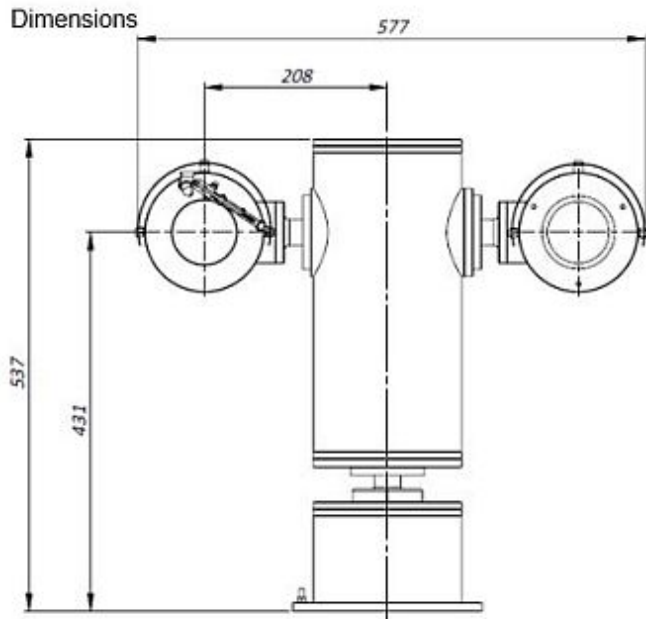
Mechanical	
Ingress protection rating	IP66 / IP67
Body material	Electro-polished 316L stainless steel
Thermal Window	AR/DCL coated germanium window
- Size	diameter 70 mm; 3 mm thick
Optical window	High grade optical glass
- Size	diameter 72 mm
Sunshields	Standard
Rotation	360° Continuous rotation
Tilt angle	+90° to -90°
Variable speed	up to 36°/sec pan and 18°/sec tilt (peak)
Backlash	<0.1°
Preset accuracy	0.04°
Operating temperature	-20 °C to +75 °C (-4 °F to +167 °F)
Cable entry	2x M25
Weight	43 kg

Electrical			
Power rating	SA-PTZ24D	SA-PTZ115D	SA-PTZ230D
- Voltage	24 Vac +/-10%	115 Vac +/-10%	230 Vac +/-10%
- Frequency	50/60Hz	50/60Hz	50/60Hz
- Dissipation	80 W max	80 W max	80 W max
Internal Heater	Standard		
- Heater control	On: 12°C +/- 4°C; Off: 20°C +/- 3°C		
- Heater power dissipation	18W		
Integrated wiper	Standard		
- Wiper dissipation	4 W		

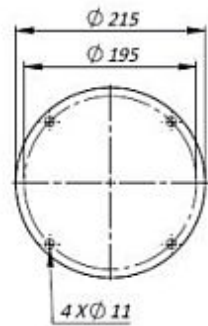
Ordering information	
SA-PTZ24D	Safe Area PTZ Dual Spectrum Camera 316L 24VAC
SA-PTZ115D	Safe Area PTZ Dual Spectrum Camera 316L 115VAC
SA-PTZ230D	Safe Area PTZ Dual Spectrum Camera 316L 230VAC

Maintenance kits	
SA-MK PTZ	Maintenance kit SA PTZ camera: O-Ring, screws, desiccant bags

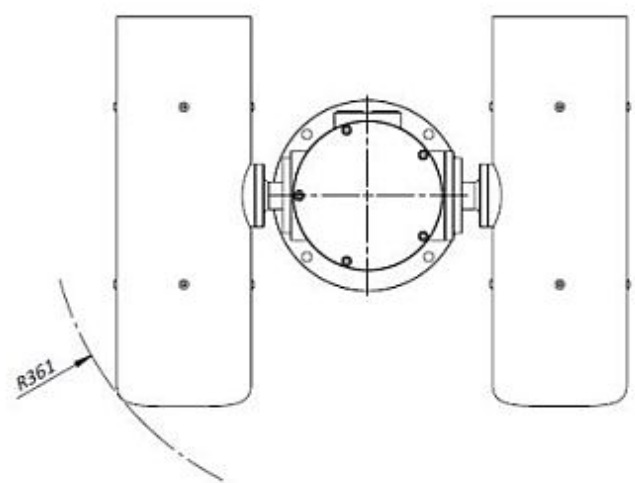
SA-PTZ D DIMENSIONS



Mounting pattern:



Top view:



All dimensions in mm

Housing	Optical camera	Thermal camera			Interface				
	BC822v2H3-SA	TC(R1)-336	TC(R1)-640	INT-RJ	INT-RJ5 INT-RJ10	INT-SM	INT-SM5 INT-SM10	INT-MM	INT-MM5 INT-MM10
SA-FIX24	✓			✓		✓		✓	
SA-FIX24W	✓			✓		✓		✓	
SA-FIX24T	✓	✓	✓	✓		✓		✓	
SA-PTZ24	✓			✓					
SA-PTZ24T		✓	✓	✓					
SA-PTZ24D	✓	✓	✓	✓					

This chart also applies to the SA cameras versions for 115 Vac and 230 Vac.

RELATED



Siqua SA mounting accessories

316L Mounting accessories for the SA-FIX and SA-PTZ series



Siqua INT-RJ / INT-SM / INT-MM

Network Interface and cable tail of the Siqua SA or EX cameras



Siqua BC822v2H3-AS

Assembly 33x zoom IP camera, 3MP, AF, Day/night, H.265/H.264



Siqua TC-336 and TC-640

Assembly thermal modules 336x256 or 640x512



Siqua SA-WP10

10 liters washer tank, pump 10 m, float sw, 316L frame
