

SA-PTZ D-IR

Safe Area PTZ camera with integrated IR, 316L

DESCRIPTION

The SA-PTZ D-IR camera housing is a rugged corrosion proof dual head camera station designed for use in onshore, offshore, marine and heavy industrial environments. The combination of infrared illumination and a low light camera facilitates 24/7 remote camera surveillance and analytics. The dual-head camera housing is not sold separately, it is only available in combination with a Siquira BC822v2H3-AS, and an interface (INT-RJ, INT-SM or INT-MM)

FEATURES

Corrosion protected 316L stainless-steel

360° Continuous pan and +/-90° tilt

Integrated 850 nm IR-LED illuminator

34° beam pattern

IP66 / IP67

Integrated power supply (24, 115 or 230 Vac)

Integrated heater and wiper

Electro-polished 316L sun-shields

Low maintenance



Description

Day-Night camera

One of the heads of the dual head camera is fitted with Siqura's 33x zoom ip camera, the bc822v2H3-AS. This part is standard equipped with a wiper and prepared for a washer installation. A 10 litre pressurized washer tank can be obtained separately.

IR-Illumination

The other tube of the dual-head is fitted with a 14-LED infrared illuminator. This powerful IR-LED array gives a circular beam pattern of 34 degrees, enough to observe a person at long distances.

Corrosion free 316L construction

The dual head PTZ camera is made of corrosion proof 316L stainless steel suited to operate in salty or sulfur rich environments.

Integrated heater

The camera is fitted with a thermal controlled heater. It regulates the humidity inside the camera and prevents ice or condensation forming on the optical window.

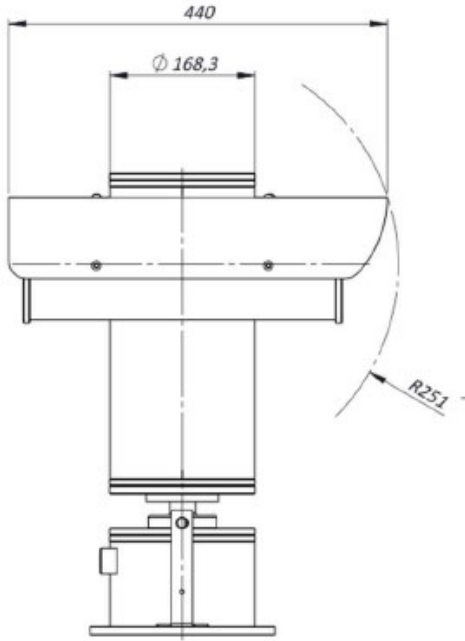
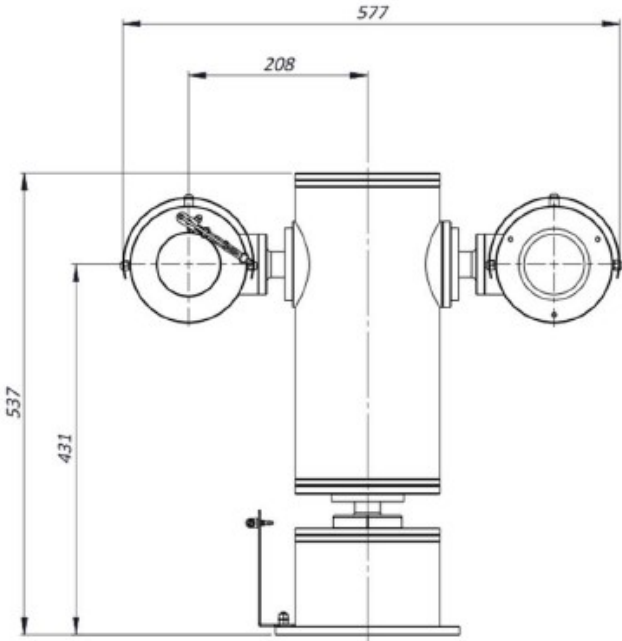
Mechanical	
Ingress protection rating	IP66 / IP67
Body material	Electro-polished 316L stainless steel
Window	High-Grade Tempered Optical Glass
Sunshield	2x, Standard
Rotation	360° Continuous rotation
Tilt angle	+90° to -90°
Variable speed	up to 36°/sec pan and 18°/sec tilt (peak)
Backlash	0.1°
Preset accuracy	0.04°
Operating temperature (Tamb)	-20 °C to +60 °C (-4 °F to +140 °F)
Relative humidity	5% to 100%
Cable entry	1x M25x1.5
Weight	43.5 kg

Electrical			
IR illuminator	14x SMD Led illuminator		
Wavelength	850nm		
Beam-pattern	34° circular		
Power rating	EX-PTZ24D-IR	EX-PTZ115D-IR	EX-PTZ230D-IR
	24 Vac +/-10%	115 Vac +/-10%	230 Vac +/-10%
	50/60Hz	50/60Hz	50/60Hz
Max power consumption	120W	120W	120W
Internal Heater	Standard		
- Heater control	On:12°C +/- 4°C; Off: 20°C +/- 3°C		
Integrated wiper	Standard on the optical window		

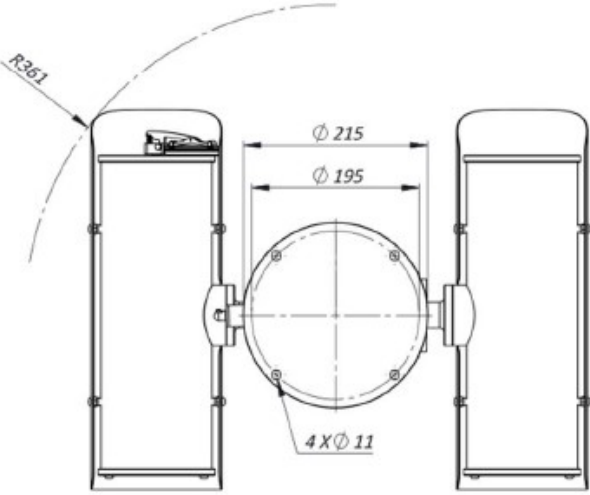
Ordering information	
SA-PTZ24D-IR	Safe Area PTZ camera with integrated IR, 316L 24VAC
SA-PTZ115D-IR	Safe Area PTZ camera with integrated IR, 316L 115VAC
SA-PTZ230D-IR	Safe Area PTZ camera with integrated IR, 316L 230VAC

Maintenance kits	
SA-MK PTZ	Maintenance kit SA PTZ camera: O-Ring, screws, desiccant bags
EX/SA-Wiper	Replacement for Stainless steel wiper (complete assembly)

DIMENSIONS IN MM



MOUNTING PATTERN



RELATED



Siqua SA mounting accessories

316L Mounting accessories for the SA-FIX and SA-PTZ series



Siqua INT-RJ / INT-SM / INT-MM

Network Interface and cable tail of the Siqua SA or EX cameras



Siqua BC822v2H3-AS

Assembly 33x zoom IP camera, 3MP, AF, Day/night, H.265/H.264



Siqua SA-WP10

10 liters washer tank, pump 10 m, float sw, 316L frame
