

UP-IR200

IR illumination Kit for Upright PTZ UPxx (preliminary)

DESCRIPTION

The Upright PTZ is a high-precision, full-featured network PTZ camera providing high-quality, high-definition images. The UP-IR200 is a IR illumination kit special designed for this PTZ camera. With two highly efficient IR-LED sources it can illuminate objects up to a distance of 200 meters. Continuous rotation of the PTZ is preserved even with the IR fitted to the camera.

FEATURES

Dual IR-LED illuminator

Maximum distance up to 200m

Continuous rotation on the Upright PTZ

25° beam pattern

IP67



IR-Illuminator

Number of LEDs	9 per unit
Wavelength	850nm
Beam pattern	Circular 25°

Powering

Power consumption	24W max per unit
Power	24 Vac, 2 A for complete installation (2 units)

Environmental

Operating temperature	-40 °C to +65 °C
Relative humidity	5% to 100%
Ingress rating	IP66 and IP67
Impact rating	IK10

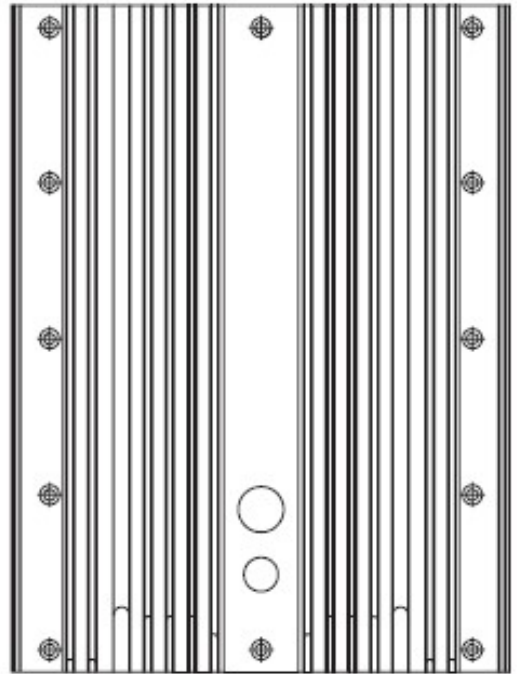
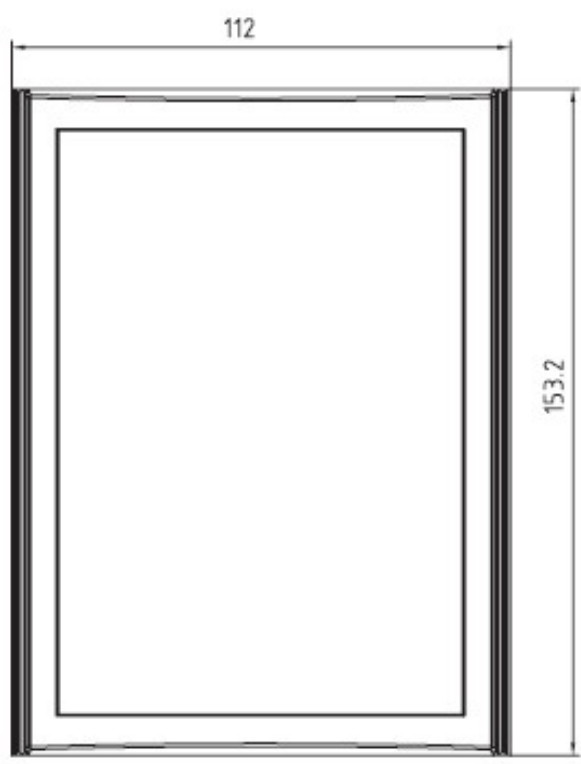
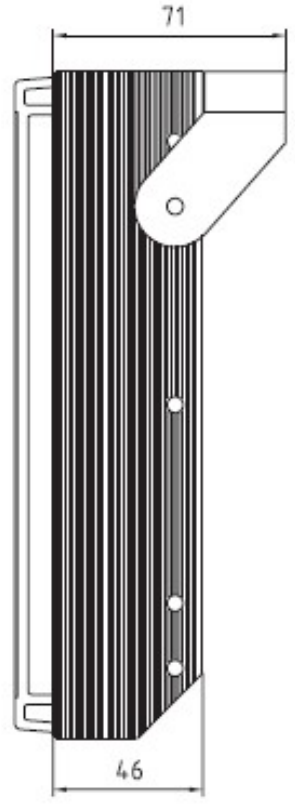
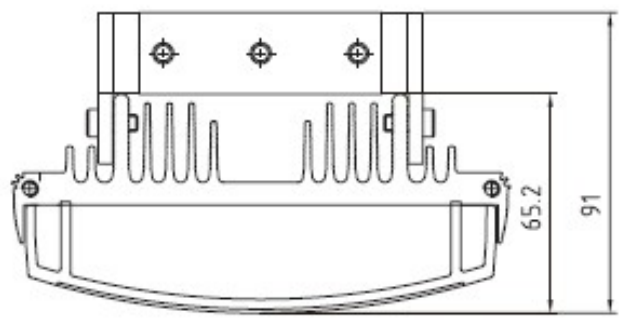
Mechanical

Housing materials	Aluminum and PC cover
Coating	Black
Dimensions (HxWxL)	65.2 x 112 x 153.2 mm
Weight	0.9 kg per unit

Ordering information

UP-IR200	IR illumination kit for UPxx PTZ, 200m, 25°, 850 nm
----------	-----------------------------------------------------

DIMENSION IN MM



RELATED



Siqura UP33
Upright PTZ 33x zoom



Siqura UP36
Upright PTZ 36x zoom
