

Institutional range

2030F Series

Hospitals, schools, office buildings, ... deal with intensive public traffic and rough use.

Locks included in the Commercial Range bring together reliability and functionality, and combine also with handles, panic bars, electro-magnetic devices, etc. provided by TESA.

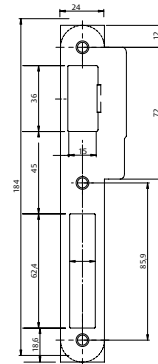
Institutional range 2030F Series locks are certified according UNE-EN 12209 CE certificated.

Features

- » Sashlock for timber doors.
- » Reversible latchbolt.
- » Distance between axes: 85 mm.
- » Backsets: 50/ 60/ 70 mm.
- » Follower: 8 mm. Thumbturn follower: 6 mm.
- » 1/2 rounded forend available.
- » Closed lockcase.
- » Euro-profile 5 pin cylinder made to DIN V 18254 with 3 nickel plated steel sawn keys. LP/ HL finish: brass finished cylinder. HN/ NE/ AI finish: nickel finished cylinder.
- » Packed: 1/20 units.



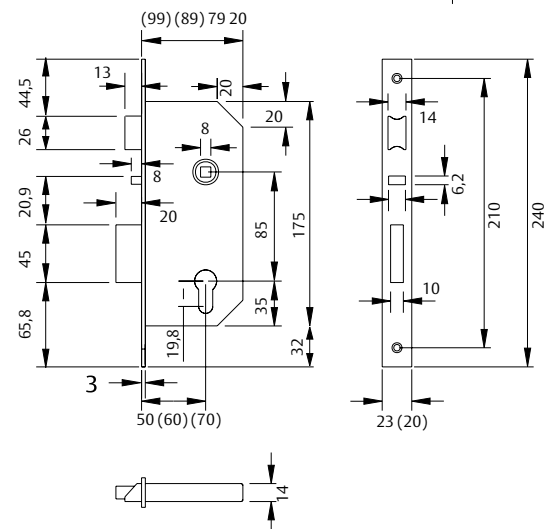
CERTIFIED ACCORDING
UNE-EN 12209:2004



Classification

3	5	7	1	0	C	3	B	C	2	0
Category of use	Durability and load on latch bolt	Door mass and closing force.	Suitability for use on fire/smoke doors.	Safety	Corrosion resistance and temperature.	Security and drill resistance.	Fields of application for doors.	Type of key manoeuvre and blocking.	Type of manoeuvre in the follower rod	Requirements for key identification.

2030F, 2030 E, 2030S		
HL	AI	NE
steel/pnt	steel/pnt	steel/pnt
steel/brass	stainless steel 430	steel/pnt
steel/brass	stainless steel 430	steel/pnt
st/nickel	st/nickel	st/nickel
st/nickel	st/nickel	st/nickel



Model	Follower	Anticard system	Interior operation	Exterior operation	Latchbolt	Deadbolt	Fire resistance	Antipanic	Notes
2030F	split	NO	handle/cylinder	handle/cylinder	YES	YES	YES	YES	Steel latchbolt.
2030F	standard	YES	handle/cylinder	cylinder	YES	YES	YES	YES	Steel latchbolt.
2530	standard	YES	handle/cylinder	handle/cylinder	YES	YES	NO	YES	Silence latchbolt.
2035F	standard	NO	handle	handle	YES	NO	YES	NO	Passage door.
2037F	split	NO	bar/handle/cyl.	handle/cylinder	YES	NO	YES	YES	Reversible.
2038F	standard	NO	cylinder	cylinder	NO	NO	YES	YES	Sliding door.
2039F	standard	NO	handle	cylinder	YES	NO	YES	NO	Gate.
203MN	standard	YES	handle	cylinder	YES	YES	YES	YES	Automatic.