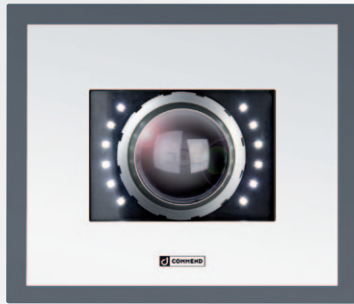


WSCM 50P WSCM 50V



1



2

Camera Modules WSCM 50P, WSCM 50V

The camera modules with colour video camera with adjustable white light illumination and integrated heating system can be operated as IP network camera or as analogue camera. The viewing angle of the camera can be adjusted mechanically in a 30° angle horizontally/vertically. The modules can be mounted above, below or next to WS-stations or can be positioned freely in the room.

1. WSCM 50P

Camera module with colour video camera with adjustable white light illumination and integrated heating system, operation as IP network camera (video format M-JPEG with max. resolution 640 x 480 pixels) or as analogue camera (PAL or NTSC), angle of camera adjustable up to 30° horizontally/vertically, IP 65 protection classification, polycarbonate construction.

The WSCM 50P is protected against dirt, dust and spray water – IP 65 protection classification.

The WSCM 50V is protected against vandalism with a 3 mm stainless steel front panel, tamper protection switches (optional), special screws and rugged construction – IP 65 and IK 07 protection classification.

2. WSCM 50V

Vandal resistant camera module with colour video camera with adjustable white light illumination and integrated heating system, operation as IP network camera (video format M-JPEG with max. resolution 640 x 480 pixels) or as analogue camera (PAL or NTSC), angle of camera adjustable up to 30° horizontally/vertically, IP 65 and IK 07 protection classification, material stainless steel.

Technical Data – Benefits

TECHNICAL DATA

Protection classification:	WSCM 50P: IP 65 WSCM 50V: IP 65, IK 07
Front panel:	WSCM 50P: Polycarbonate WSCM 50V: Stainless steel, 3 mm (0.12 in)
Operating temperature range:	-20° C to +60° C (-4° F to 140° F)
Storage temperature range:	-20° C to +60° C (-4° F to 140° F)
Relative humidity:	up to 95% not condensing
Connection:	- pluggable screw terminals IP video signal: shielded RJ 45 modular jacks Analogue video signal: BNC, 75 Ω
Power supply:	PoE or external supply 22–24 VAC or 20–35 VDC Power consumption: max. 8.5 VA / 6.5 W
PoE (Power over Ethernet):	IEEE 802.3af standard Power consumption of the terminal device: Class 0 (0.44 W to 12.95 W)
Mounting:	WSCM 50P: flush mount kit WSFB 52P / surface mount kit WSSH 52P WSCM 50V: flush mount kit WSFB 52V / surface mount kit WSSH 52V
Measurements:	WSCM 50P: with flush mount kit: B 165 mm (6.5 in), H 140 mm (5.5 in), T 13 mm (0.5 in) with surface mount kit: B 165 mm (6.5 in), H 140 mm (5.5 in), T 51 mm (2 in) WSCM 50V: with flush mount kit: B 164 mm (6.45 in), H 139 mm (5.47 in), T 14 mm (0.55 in) with surface mount kit: B 164 mm (6.45 in), H 139 mm (5.47 in), T 50 mm (1.97 in) (Measurements without camera dome)
Weight incl. package:	WSCM 50P: approx. 450 g (1 lbs) WSCM 50V: approx. 875 g (1.93 lbs)
Colours WSCM 50P:	front panel: light-grey (like RAL 7035) front panel frame: graphite-grey (like RAL 7024)

SYSTEM REQUIREMENTS

- GE 800 (min. PRO 800 1.1) with G8-IP (min. G3-8-IP 4.0b01)
- GE 300 (min. PRO 800 1.1) with G3-IP (min. G3-8-IP 4.0b01)
- GE 700 with GE700-UPG (min. PRO 800 1.1) with G7-DSP-IP
- Configuration software min. CCT 800 1.1
- Using IP video: Configuration software IPStationConfig (included in setup of CCT 800 1.1)
- Can also be operated independently from the Intercom system (e.g. as stand-alone IP camera in 3rd party systems)

EXTENT OF SUPPLY

- Camera module
- WSCM 50V:
 - Mounting screws
 - Snap ferrite
- Short reference

TECHNICAL DATA HYBRID CAMERA

General data:

- Image sensor: 1/4 inch colour CMOS sensor
- Lens*: Focal distance 3.6 mm (0.14 inch), F2,8, fixed aperture, angle 67.4° (diagonal)
- Automatic adjustment of white fader, colour, contrast- and brightness parameters
- Angle adjustable up to 30° horizontally/vertically

IP video stream:

- Resolution: 320 x 240 or 640 x 480
- Video format: Motion JPEG (MJPEG)
- Picture rate: Up to 30 pictures per second
- Protocols: HTTP, ARP, UDP, TCP, IP, ICMP, DHCP (Client)
- Ethernet: 10/100 MBit/s, half-/full duplex
- Standard http-URL for display/integration in 3rd party systems (e.g. webbrowser): <http://<IP address>/video.cgi>
- Storage of 5 frames ("Snapshots") and call up via <http://<IP address>/snapshot<1-5>.jpg>, possible

Analogue CVBS video signal:

- Supported video systems: PAL and NTSC
- Resolution PAL: 720 x 576
- Resolution NTSC: 720 x 480

Camera illumination/Camera heater:

- LED-white light illumination and camera heater automatically or manually configurable

Configuration:

- Via CCT 800 or
- Via webinterface <http://<IP address>>, recommended browsers: min. Internet Explorer 8, min. Mozilla Firefox 3.5

* The specifications refer to WSCM 50P with min. Rev. AB and WSCM 50V with min. Rev. AC

BENEFITS

- Vandal resistant or polycarbonate
- Protection classification IP 65 (for WSCM 50V additionally IK 07)
- IP video stream or analogue CVBS video signal
- Automatic adjustment of white fader, colour, contrast- and brightness parameters
- Angle adjustable up to 30° horizontally/vertically
- Supported analogue video systems: PAL and NTSC
- WSCM 50V: Can be retrofitted with sabotage kit (WSSK 50V)
- Can be mounted above, below or next to WS-stations or can be positioned freely in the room.

Network Requirements

BANDWIDTH

The following tables show the required **bandwidth** in **Mbit/s** depending on the configured "Quality" and "Max. frame rate" **per IP stream**.

QVGA:

		Max. Frame rate →							
		1 FPS	2 FPS	5 FPS	10 FPS	15 FPS	20 FPS	25 FPS	30 FPS
Quality ↓	20%	0,06 Mbit/s	0,12 Mbit/s	0,29 Mbit/s	0,58 Mbit/s	0,87 Mbit/s	1,16 Mbit/s	1,46 Mbit/s	1,75 Mbit/s
	40%	0,08 Mbit/s	0,17 Mbit/s	0,42 Mbit/s	0,84 Mbit/s	1,26 Mbit/s	1,68 Mbit/s	2,10 Mbit/s	2,52 Mbit/s
	60%	0,11 Mbit/s	0,22 Mbit/s	0,55 Mbit/s	1,09 Mbit/s	1,64 Mbit/s	2,18 Mbit/s	2,73 Mbit/s	3,28 Mbit/s
	80%	0,13 Mbit/s	0,25 Mbit/s	0,63 Mbit/s	1,26 Mbit/s	1,89 Mbit/s	2,51 Mbit/s	3,14 Mbit/s	3,77 Mbit/s
	100%	0,16 Mbit/s	0,32 Mbit/s	0,80 Mbit/s	1,60 Mbit/s	2,39 Mbit/s	3,19 Mbit/s	3,99 Mbit/s	4,79 Mbit/s

VGA:

		Max. Frame rate →							
		1 FPS	2 FPS	5 FPS	10 FPS	15 FPS	20 FPS	25 FPS	30 FPS
Quality ↓	20%	0,15 Mbit/s	0,31 Mbit/s	0,77 Mbit/s	1,54 Mbit/s	2,31 Mbit/s	3,08 Mbit/s	3,86 Mbit/s	4,63 Mbit/s
	40%	0,23 Mbit/s	0,46 Mbit/s	1,15 Mbit/s	2,30 Mbit/s	3,46 Mbit/s	4,61 Mbit/s	5,76 Mbit/s	6,91 Mbit/s
	60%	0,31 Mbit/s	0,62 Mbit/s	1,54 Mbit/s	3,08 Mbit/s	4,62 Mbit/s	6,16 Mbit/s	7,70 Mbit/s	9,24 Mbit/s
	80%	0,36 Mbit/s	0,71 Mbit/s	1,78 Mbit/s	3,56 Mbit/s	5,34 Mbit/s	7,12 Mbit/s	8,90 Mbit/s	10,69 Mbit/s
	100%	0,45 Mbit/s	0,90 Mbit/s	2,24 Mbit/s	4,48 Mbit/s	6,72 Mbit/s	8,97 Mbit/s	11,21 Mbit/s	13,45 Mbit/s



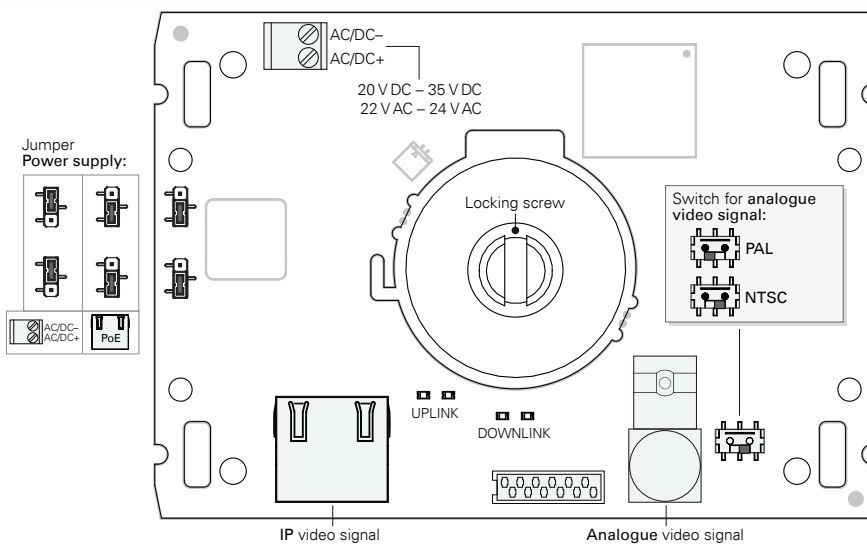
Installation

PRECAUTIONS

- When opening the stations ESD precautions must be observed.
- The stations may only be opened by authorised service engineers.
- **Video can not** be switched over **WAN networking!**
- When using **analogue video** an **isolated power supply unit** is mandatory!
- The device **can not** be supplied with **PoE** and **external power supply** simultaneously. But if desired, an appropriate configuration of the switch is required (Ethernet port may not be blocked)!

Note: The use of the analogue video output is also possible with PoE

CONNECTION



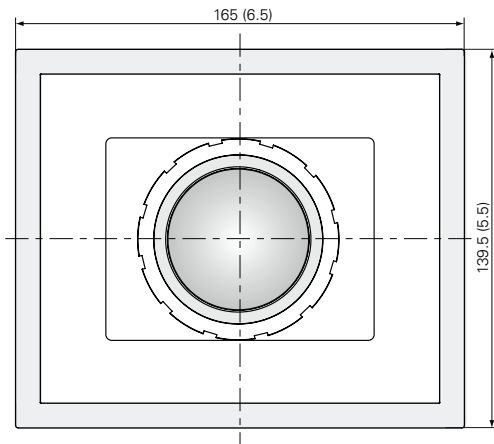
Tilting the camera:

- Unscrew locking screw
- Tilt camera into desired position
- Tighten locking screw

MEASUREMENTS WSCM 50P

Measurements in mm (inch), not to scale!

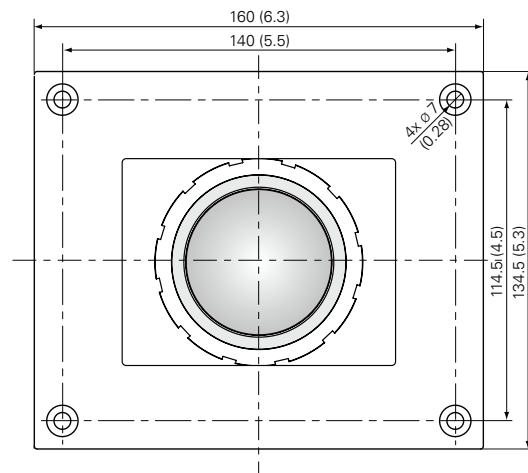
Depth front panel (without camera dome): 13 (0.51)
cavity wall mounting: 15 (0.59) (⇒ shadow gap between front panel & wall)



MEASUREMENTS WSCM 50V

Thickness of front panel: 3 mm (0.11 inch)

Measurements in mm (inch), not to scale!



MEASUREMENTS CAMERA DOME

Measurements in mm (inch), not to scale!



QUALITY TESTED. RELIABLE. SMART.

COMMEND products are developed and manufactured by Commend International in Salzburg, Austria.

The development and manufacturing processes are certified in accordance with **EN ISO 9001:2015**.

The technical data contained herein has been provided solely for informational purposes and is not legally binding. Subject to change, technical or otherwise. IoT[®], OpenDuplex[®] and Commend[®] are trademarks registered by Commend International GmbH. All other brands or product names are trademarks or registered trademarks of the respective owner and have not been specifically earmarked.

A STRONG WORLDWIDE NETWORK

COMMEND is represented the world over by local Commend Partners and helps to improve security and communication with tailored solutions.

www.commend.com

